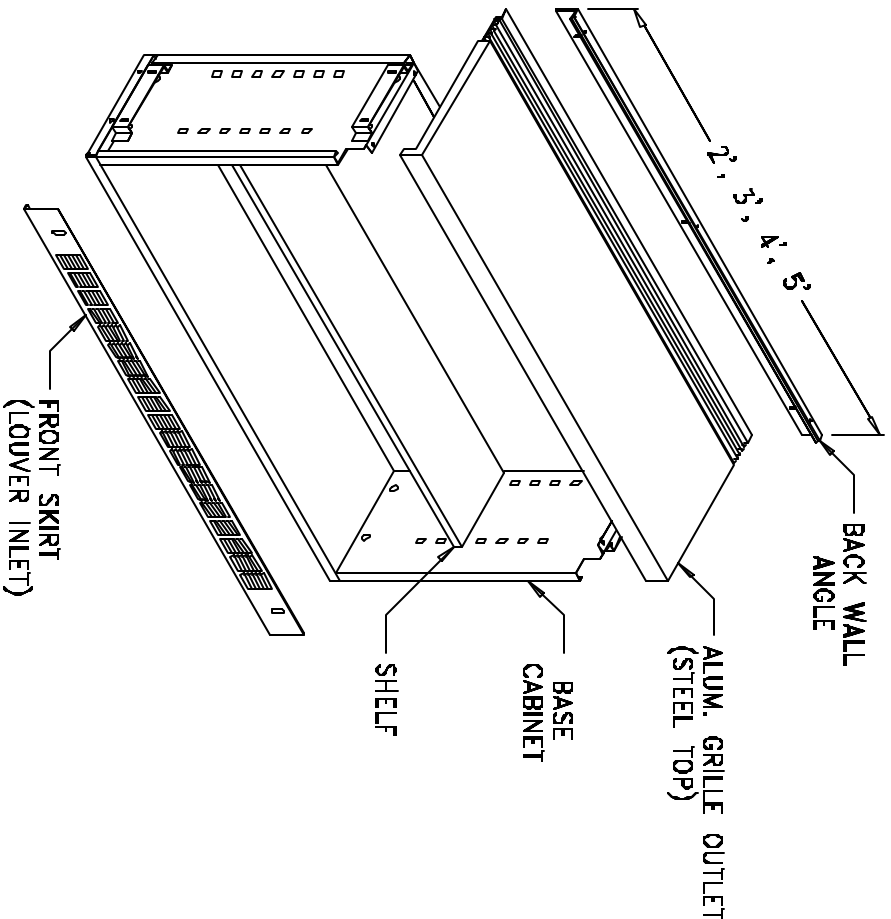
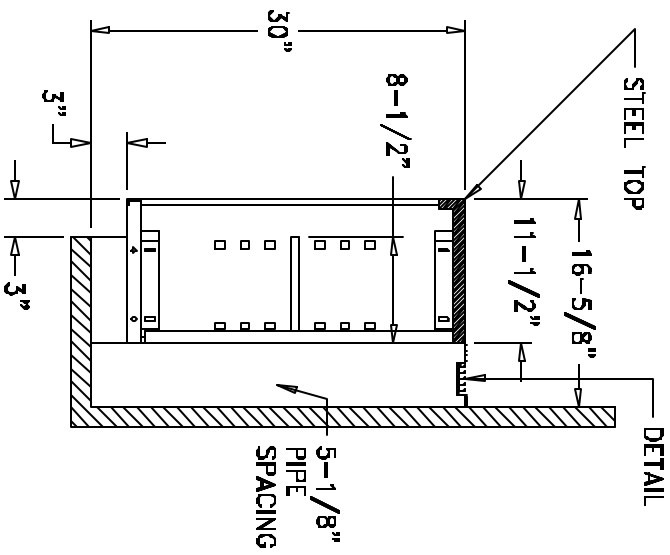


DETAIL



HVAC
CUSTOM ENCLOSURE CO., LLC
 3554 Plazant Ave.
 Homburg, NY 14075
 Phone: 716-646-0500
 Fax: 716-646-0913

PROJECT: _____

MODEL: CABINET, ALUM. GRILLE OUTLET (STEEL TOP)

DATE: 02/01/05 REV. #001 DWG. NO. SC169-0050

CONTRACTOR: _____ REPRESENTATIVE: _____

ARCHITECT: _____ ENGINEER: _____