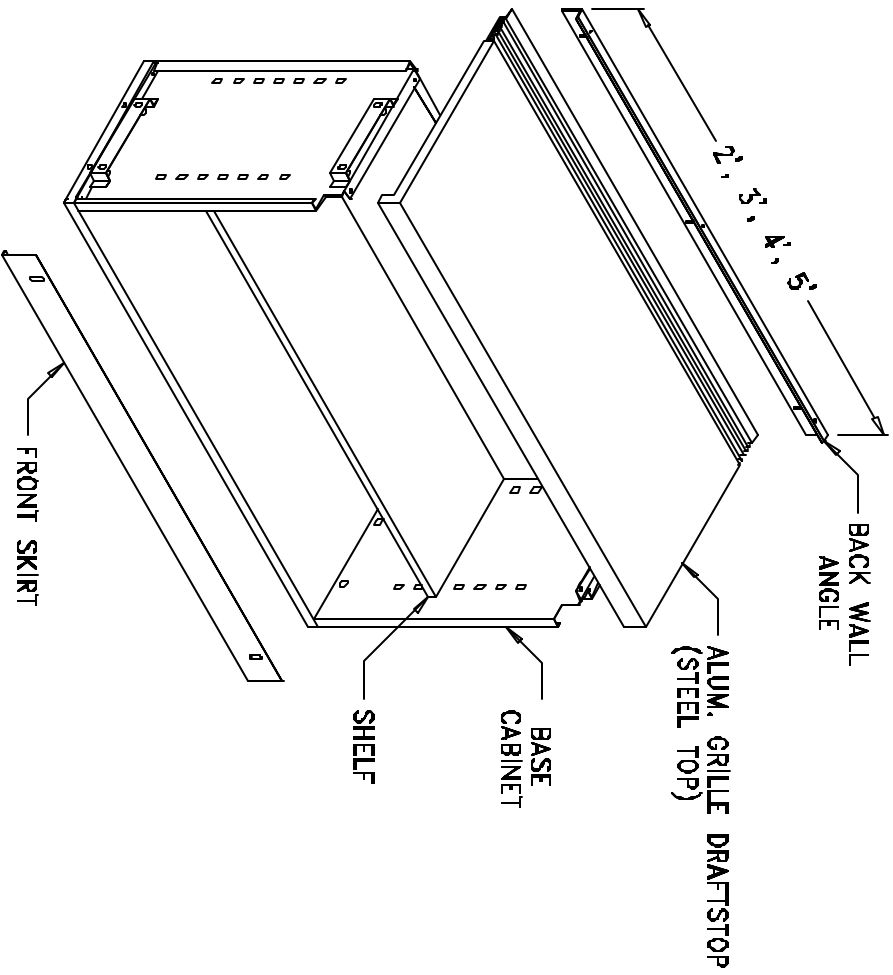
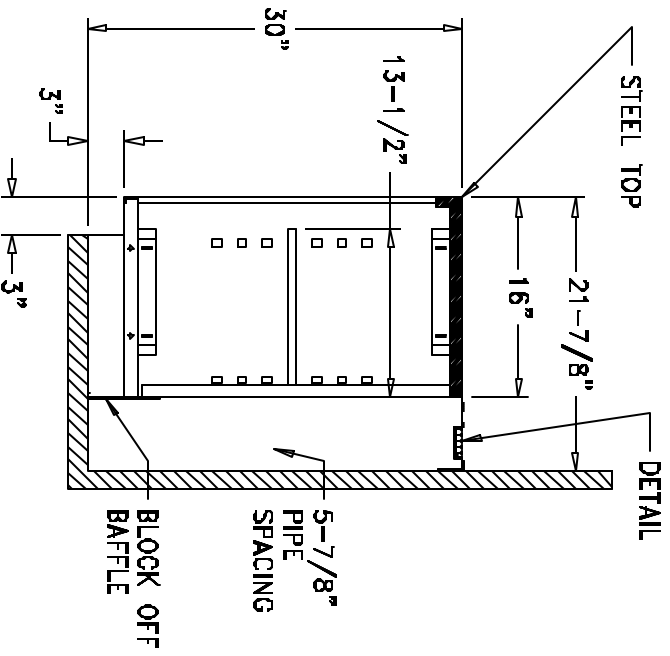


DETAIL



**HVAC**  
**CUSTOM ENCLOSURE CO., LLC**  
 3554 Plazarent Ave.  
 Horthourg, NY 14075  
 Phone: 716-646-0500  
 Fax: 716-646-0913

PROJECT: \_\_\_\_\_

MODEL: CABINET, ALUM. GRILLE DRAFTSTOP (STEEL TOP)

DATE: 02/01/05    REV. #001    DWG. NO. SC215-0010

CONTRACTOR: \_\_\_\_\_ REPRESENTATIVE: \_\_\_\_\_

ARCHITECT: \_\_\_\_\_ ENGINEER: \_\_\_\_\_